

# Accu-CT<sup>®</sup> SPLIT-CORE CTs

**Wide Range, Unprecedented Linearity**



U.S. Patent 8,587,399  
U.S. Patent 8,847,576

## Overview

The Accu-CT family of standard and revenue-grade, split-core current transformers offers outstanding linearity, very low phase angle error, easy one-handed opening and closing, with a safe 0.333 Vac low voltage output.

The standard Accu-CT meets IEEE C57.13 class 1.2 and when ordered with the Option C0.6, both models of the Accu-CT meet IEEE C57.13 class 0.6 accuracy standards. Both models are available in standard and revenue-grade accuracies with exceptionally low-end accuracy from 1 to 120% of primary rated current – 10x better than traditional CTs. The ACTL-1250 can also be ordered with Option C0.3 for 0.3% accuracy readings. This is especially important when SREC requirements dictate system metering accuracies meeting or exceeding ANSI C12.1-2008 specifications.

Designed specifically for the WattNode<sup>®</sup> energy and power meters, the Accu-CT is available in two window opening sizes. The ACTL-0750 has a window opening of 0.75" x 0.75" for current measurements up to 250 amps while the ACTL-1250, with its unique oval shaped window opening of 1.83" x 1.25" is designed for loads up to 600 amps. Each option C0.6 or C0.3 CT ships with a certificate of calibration.

The ACT series of high-accuracy split-core current transformers are UL Listed, certified by Underwriters Laboratory (UL) to meet the new 2017 NEC code requirement that CTs installed in the field must be UL 2808 Listed under category code XOBA.

## Specifications

	ACTL-0750	ACTL-0750 Opt C0.6	ACTL-1250	ACTL-1250 Opt C0.6	ACTL-1250 Opt C0.3
<b>Accuracy</b>	0.75%	0.50%	0.75%	0.50%	0.30%
<b>Rated Amps</b>	5, 20, 50, 100, 200, 250*	20, 50, 100, 200, 250*	250, 400, 600*	250, 400, 600*	250, 400, 600*
<b>Optional Rated Amps</b>	15, 30, 70, 150	15, 30, 70, 150	NA	NA	NA
<b>Accuracy Class</b>	IEEE/ANSI C57.13, Class 1.2	IEEE/ANSI C57.13, Class 0.6	IEEE/ANSI C57.13, Class 1.2	IEEE/ANSI C57.13, Class 0.6	IEEE/ANSI C57.13, Class 0.3
<b>CE Accuracy</b>	IEC 60044-1 Class 1.0	IEC 60044-1 Class 0.5 S	IEC 60044-1 Class 1.0	IEC 60044-1 Class 0.5 S	IEC 60044-1 Class 0.5 and Class 0.5 S
<b>CE Safety</b>	CE	CE	CE	CE	CE
<b>RoHS Compliance</b>	√	√	√	√	√
<b>UL USA</b>	UL Listed, XOBA, UL 2808	UL Listed, XOBA, UL 2808	UL Listed, XOBA, UL 2808	UL Listed, XOBA, UL 2808	UL Listed, XOBA, UL 2808
<b>UL Canada</b>	UL Listed - XOBA7	UL Listed - XOBA7	UL Listed - XOBA7	UL Listed - XOBA7	UL Listed - XOBA7
<b>Standard Lead Length</b>	8 ft (2.4m) 18 AWG	8 ft (2.4m) 18 AWG	8 ft (2.4m) 18 AWG	8 ft (2.4m) 18 AWG	8 ft (2.4m) 18 AWG
<b>Phase Angle</b>	±0.50 degrees	±0.25 degrees, ±0.50 degrees below 0°C	±0.50 degrees	±0.25 degrees	±0.125 degrees 10-120% of rated current. ±0.25 from 1%-120% of rated current.
<b>Output Options</b>	0.333 Vac, 1 V, 100 mA*	0.333 Vac, 1 V, 100 mA*	0.333 Vac, 1 V, 100 mA*	0.333 Vac, 1 V, 100 mA*	0.333 Vac, 1 V, 100 mA*
<b>Operating Temperature</b>	-40°C to 80°C	-40°C to 80°C	-30°C to 75°C	-30°C to 75°C	-30°C to 75°C
<b>Line Frequency</b>	50/60 Hz	50/60 Hz	50/60 Hz	50/60 Hz	50/60 Hz, 60 Hz is recommended and is the default
<b>Option 50 Hz Available</b>	√	√	Not required	Not required	√

\*mA output available in 250 and 600 amp Accu-CTs.



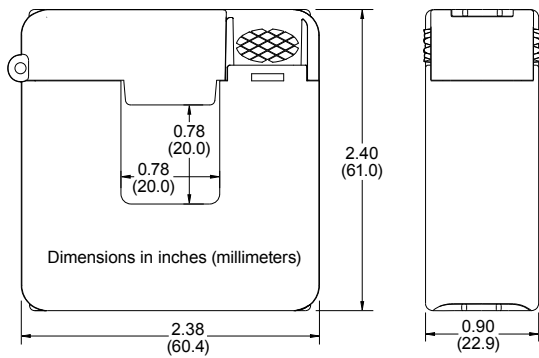
Socomec Group

2150 Miller Drive, Suite A • Longmont CO 80501 • USA  
sales@ctlsys.com • www.ctlsys.com  
(888) 928-8663 • Fax (303) 444-2903

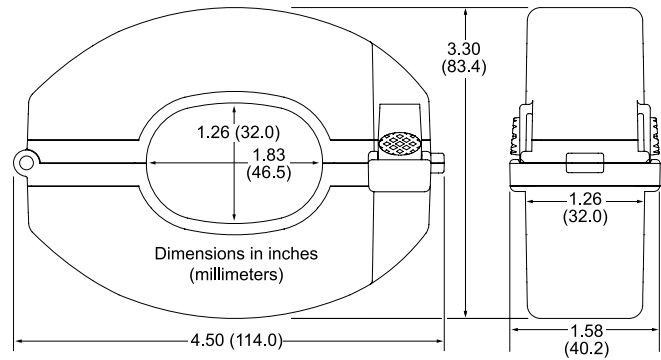
ACTL-1.2.18: Specifications are subject to change

## Dimensions

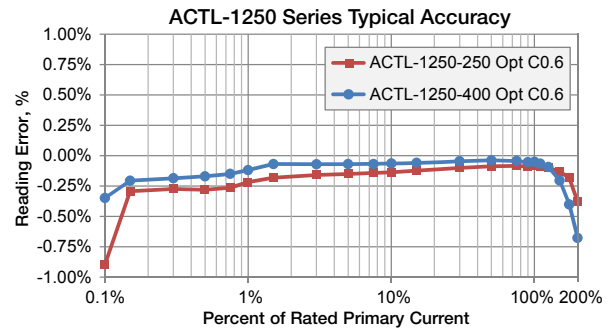
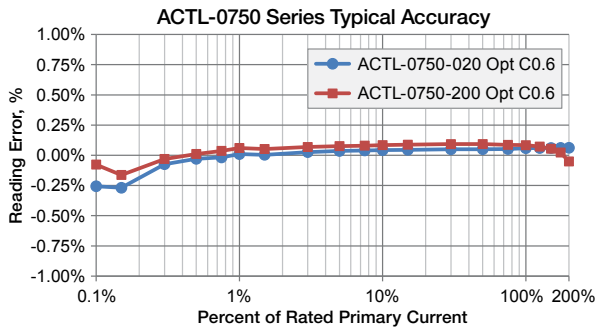
**ACTL-0750**



**ACTL-1250**



## Performance



Graphs show typical performance at 23°C, 60 Hz. Graph shows a positive phase angle when the output leads the primary current.

## Model Numbers and Prices

For options and non-stock models, consult factory for pricing.

Standard ACTL-0750 Models	MSRP	Revenue (C0.6) ACTL-0750 Models	MSRP
ACTL-0750-005	\$47.00	Not Available	NA
ACTL-0750-020	\$47.00	ACTL-0750-020 Opt C0.6	\$57.00
ACTL-0750-050	\$47.00	ACTL-0750-050 Opt C0.6	\$57.00
ACTL-0750-100	\$47.00	ACTL-0750-100 Opt C0.6	\$57.00
ACTL-0750-200	\$47.00	ACTL-0750-200 Opt C0.6	\$57.00
ACTL-0750-250	\$47.00	ACTL-0750-250 Opt C0.6	\$57.00

Standard ACTL-1250 Models	MSRP	Revenue (C0.6) ACTL-1250 Models	MSRP	Revenue (C0.3) ACTL-1250 Models	MSRP
ACTL-1250-250	\$56.00	ACTL-1250-250 Opt C0.6	\$67.00	ACTL-1250-250 Opt C0.3	\$77.00
ACTL-1250-400	\$56.00	ACTL-1250-400 Opt C0.6	\$67.00	ACTL-1250-400 Opt C0.3	\$77.00
ACTL-1250-600	\$56.00	ACTL-1250-600 Opt C0.6	\$67.00	ACTL-1250-600 Opt C0.3	\$77.00

WattNode and Accu-CT are registered trademarks of Continental Control Systems, LLC.



Socomec Group

2150 Miller Drive, Suite A • Longmont CO 80501 • USA  
[sales@ctlsys.com](mailto:sales@ctlsys.com) • [www.ctlsys.com](http://www.ctlsys.com)  
 (888) 928-8663 • Fax (303) 444-2903

ACTL-1.2.18: Specifications are subject to change