



SolarEdge Single Phase StorEdge™ Solutions for North America



STOREDGE™

SolarEdge StorEdge™ Solutions Benefits:

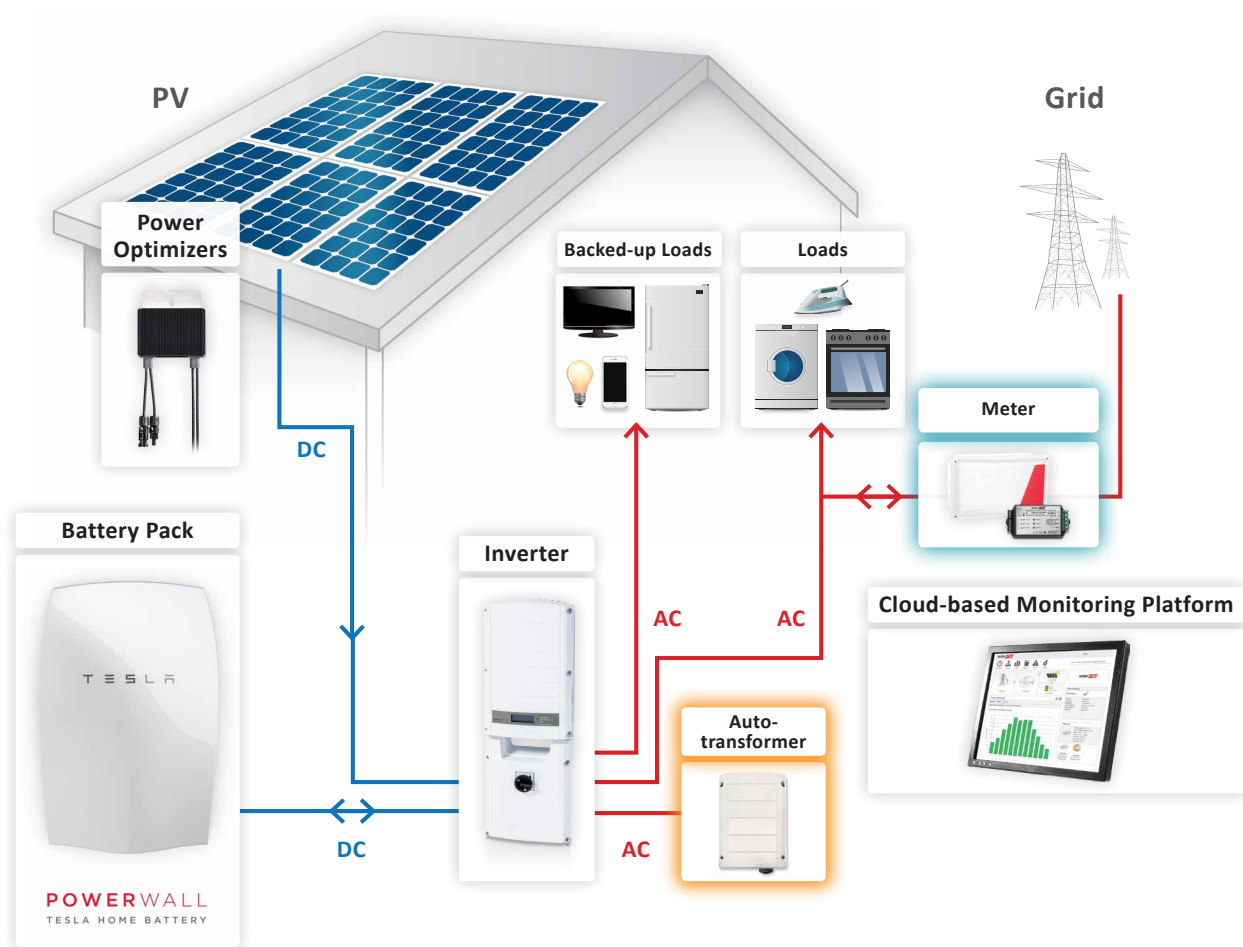
- **More Energy** - DC-coupled architecture stores PV power directly to the battery without AC conversion losses
- **Simple Design & Installation** - single inverter for PV, battery storage, grid-tied and backup applications
- **Enhanced Safety** - no high voltage during installation, maintenance or firefighting
- **Full Visibility** - monitor battery status, PV production, remaining backup power and self-consumption data



SolarEdge Single Phase StorEdge™ Solutions for North America

StorEdge™ Features:

- Smart Energy Management - export control, time-of-use shifting, maximized self-consumption, demand response and peak shaving capabilities
- Backup power - automatically provides power to backed-up loads in the event of grid interruption
- All-in-one solution uses a single DC optimized phase inverter to manage and monitor both PV generation and energy storage
- Compatible with Tesla Powerwall Home Battery



SolarEdge StorEdge™ Solutions for North America - Product Selector

	Grid-tied solar, backup power and smart energy management	Grid-tied solar and backup power	Grid-tied solar and smart energy management	
Single Phase StorEdge™ Inverter	✓	✓	✓	
Auto-transformer	✓	✓		
SolarEdge Electricity Meter	✓		✓	
Battery	✓	✓	✓	



SolarEdge Single Phase StorEdge Inverter for North America SE7600A-USS2

- Single inverter for PV, grid-tied storage and backup power
- Includes the hardware required to provide automatic backup power to backed-up loads in case of grid interruption
- Includes all interfaces needed for battery connection

SE7600A-USS2			
	Single Battery or High Capacity	High Power	
OUTPUT - AC (LOADS/GRID)			
Rated AC Power Output	7600		VA
Max AC Power Output	8350		VA
AC Output Voltage Min-Nom-Max (L-L) ⁽¹⁾	211-240-264		Vac
AC Frequency Min-Nom-Max ⁽¹⁾	59.3 - 60 - 60.5		Hz
Maximum Continuous Output Current @240V	32		A
GFDI	1		A
Utility Monitoring, Islanding Protection, Country Configurable Thresholds	Yes		
Charge Battery from AC (if Allowed)	Yes		
THD	<3		%
Power factor with rated power	>0.99 (configurable; 0.9 leading to 0.9 lagging)		
Typical Nighttime Power Consumption	<5		W
OUTPUT - AC (BACKUP POWER)⁽²⁾			
Rated AC Power Output	3300	5000	VA
Max AC Power Output - Surge	3300	6600	VA
AC Output Voltage Min-Nom-Max (L-L)	211-240-264		Vac
AC Output Voltage Min-Nom-Max (L-N)	105-120-132		Vac
AC Frequency Min-Nom-Max	55 - 60 - 65		Hz
Maximum Continuous Output Current @240V - Backup Mode	21		A
Max Continuous Output Current per Phase @120V	25		A
GFDI	1		A
AC Circuit Breaker	Yes		
THD	<5		%
Power factor with rated power	0.2 leading to 0.2 lagging		
Automatic switchover time	<2		sec
Typical Nighttime Power Consumption	<5		W
INPUT - DC (PV and BATTERY)			
Transformer-less, Ungrounded	Yes		
Max Input Voltage	500		Vdc
Nom DC Input Voltage	400		Vdc
Reverse-Polarity Protection	Yes		
Ground-Fault Isolation Detection	600kΩ Sensitivity		
Maximum Inverter Efficiency	98		%
CEC Weighted Efficiency	97.5		%
INPUT - DC (PV)			
Maximum DC Power (STC)	10250		W
Max Input Current ⁽³⁾	23		Adc
2-pole Disconnection	Yes		
INPUT - DC (BATTERY)			
Continuous Peak Power	3300	6600	W
Number of Batteries per Inverter	Up to 2, for high capacity	2, for high power	
Supported Battery Types	Single battery: B, E Two batteries: B+B	B+E, E+E	
Max Input Current	8.5	17.5	Adc
2-pole Disconnection	Yes		
DC Fuses on Plus and Minus	12A (field replaceable)	25A (field replaceable)	
ADDITIONAL FEATURES			
Supported Communication Interfaces	RS485 for battery, RS485, Ethernet, ZigBee (optional)		
Battery Power Supply	Yes, 12V / 53W		
Revenue Grade Data, ANSI C12.1	Optional ⁽⁴⁾		
Integrated AC, DC and Communication Connection Unit	Yes		
AC Disconnect	Yes		
Manual Inverter Bypass Switch	Yes		
DC Voltage Rapid Shutdown (PV and Battery)	Yes, according to NEC 2014 690.12		
Auto-transformer thermal protection	Yes		

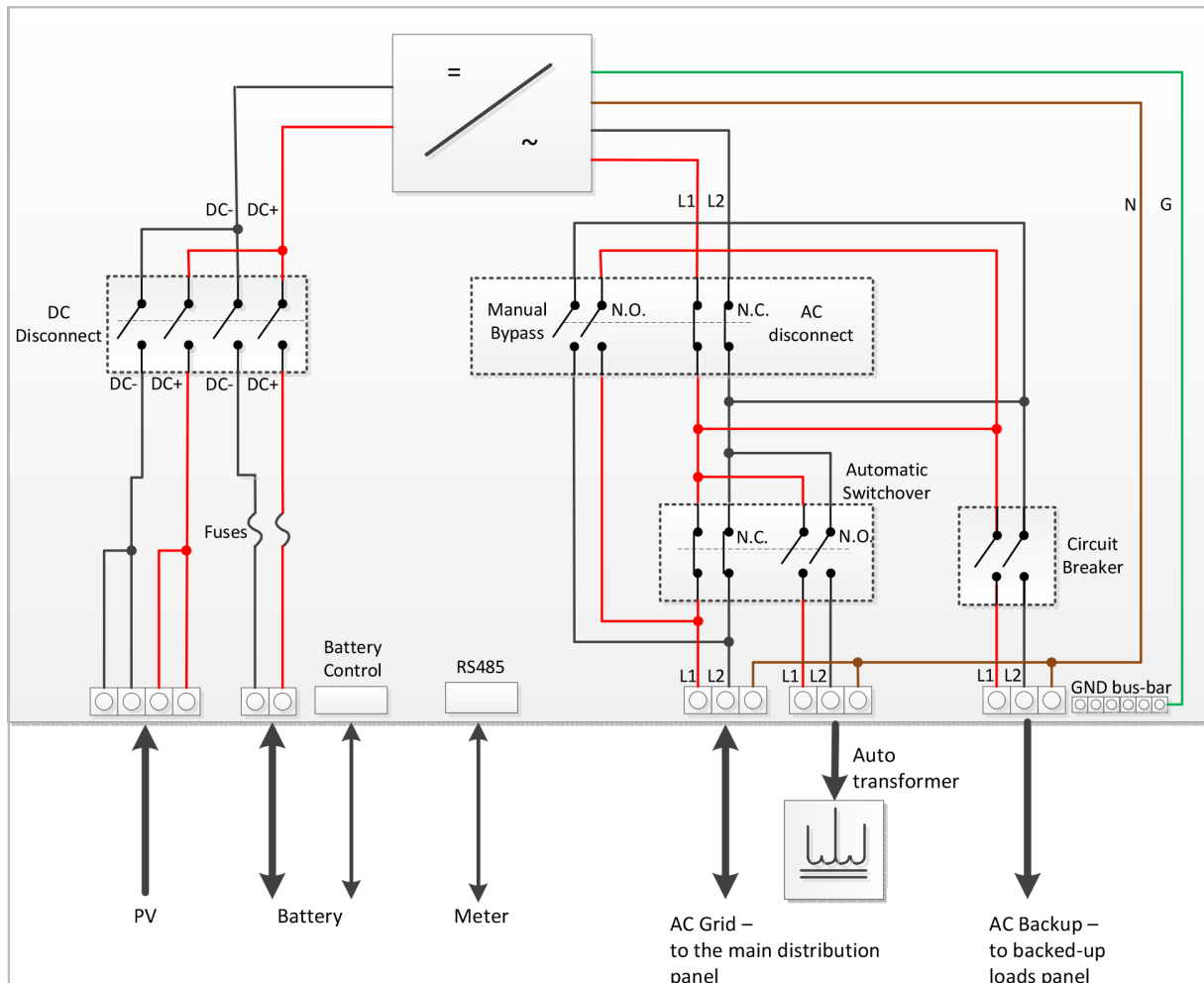


SolarEdge Single Phase StorEdge Inverter for North America SE7600A-USS2

	SE7600A-USS2	
	Single Battery or High Capacity	High Power
STANDARD COMPLIANCE		
Safety	UL1741, UL1699B, UL1998, CSA 22.2	
Grid Connection Standards	IEEE1547, Rule 21, Rule 14	
Emissions	FCC part15 class B	
INSTALLATION SPECIFICATIONS		
AC Output (Loads/Grid) conduit size / AWG range	1" / 14-6 AWG	
AC Output (Backup) conduit size / AWG range	0.75-1" knockouts / 14-6 AWG	
AC Input (Auto-transformer) conduit size / AWG range	0.75-1" / 14-6 AWG	
DC Input (PV) conduit size / AWG range	0.75" / 14-8 AWG	
DC Input (Battery) conduit size / AWG range	0.75" / 16-10 AWG	
Dimensions with Connection Unit (HxWxD)	37 x 12.5 x 7.2 / 940 x 315 x 184	
Weight with Connection Unit	58.5 / 26.5	
Cooling	Natural convection and internal fan (user replaceable)	
Noise	<50	
Min - Max Operating Temperature	-13 to +140 / -25 to +60	
Protection Rating	NEMA 3R	

(1) For other regional settings please contact SolarEdge Support
 (2) Not designed for standalone applications and requires AC for commissioning
 (3) A higher current source may be used; the inverter will limit its input current to the values stated
 (4) Revenue grade inverter P/N: SE7600A-USS00NNM2

Inverter Interface





SolarEdge Auto-transformer

SEAUTO-TX-5000

SEAUTO-TX-5000		
ELECTRICAL RATINGS		
Rated Power - Continuous	5000	VA
Rated Power - Peak	7600 for 10sec	VA
Output Voltage	120/240V Split Phase	
Max Continuous Output Current per Phase @120V	25	A
Split Phase Imbalance (@Rated Power)	Yes, up to 25A difference between phases	
Thermal Protection	Yes	
INSTALLATION SPECIFICATIONS		
AC Output conduit size / AWG range	0.75" / 14-6 AWG	
Dimensions (HxWxD)	6.7 x 7.9 x 5.5 / 170 x 200 x 140	in / mm
Weight	29.7 / 13.5	lb / kg
Min - Max Operating Temperature	-13 to +140 / -25 to +60	°F / °C
Protection Rating	NEMA 3R	
Installation	Wall mounted	



SolarEdge Electricity Meter for North America

SE-MTR240-2-200-S1 / SE-MTR240-2-400-S1

For meter specifications refer to: http://www.solaredge.us/files/pdfs/products/se_electricity_meter_na.pdf

