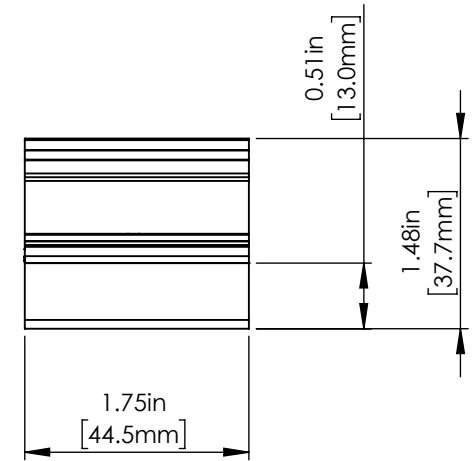
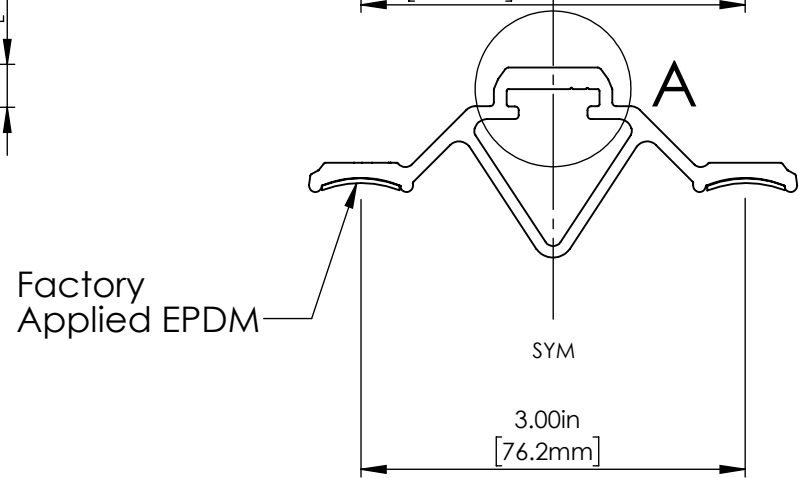
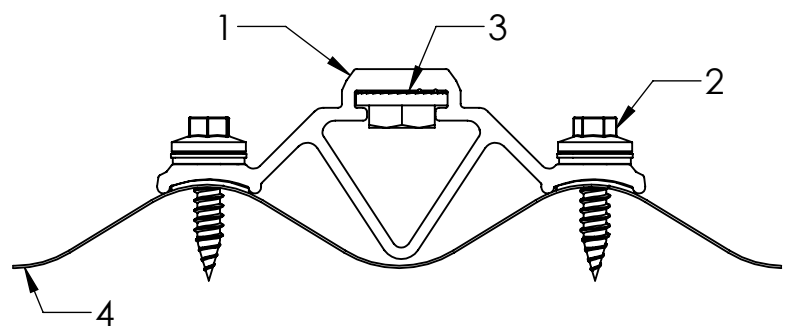


DETAIL A
SCALE 4 : 3




General Notes:

1. CorruBracket 500T
2. Piercing Screw
3. M8 Hex Flange Nut
4. Example Roof



FOR STANDING SEAM SPECIFIC MECHANICAL LOAD TEST INFORMATION AND CLAMP INSTALLATION INFORMATION PLEASE VISIT: WWW.S-5.COM

MATERIAL: 6005A T61				METAL ROOF INNOVATIONS, LTD. 8750 WALKER RD COLORADO SPRINGS, CO 80908 719-495-0518 719-495-0045(FAX)	
EST ASSEMBLY WEIGHT 0.15 lbs					
SUPPLIED HARDWARE: M8 Hex Flange Nut	TITLE CorruBracket 500T				
SCALE: 2:3	DRAWING NO. AU76-A-1-A	DRAWN BY JW	DATE 1/3/2019		
WEIGHTS:	S-5!® PRODUCTS ARE PROTECTED BY MULTIPLE U.S. PATENTS INCLUDING 5,228,248, 5,983,588 AND 6,164,033 (OTHERS ISSUED AND PENDING). EUROPEAN PATENTS ARE ALSO APPLIED FOR AND PENDING UNDER THE PATENT COOPERATION TREATY WITH DIVISIONAL FILING RIGHTS RETAINED. METAL ROOF INNOVATIONS, LTD. (LICENSOR OF S-5!® TECHNOLOGY) AGGRESSIVELY PROSECUTES PATENT INFRINGEMENT.				